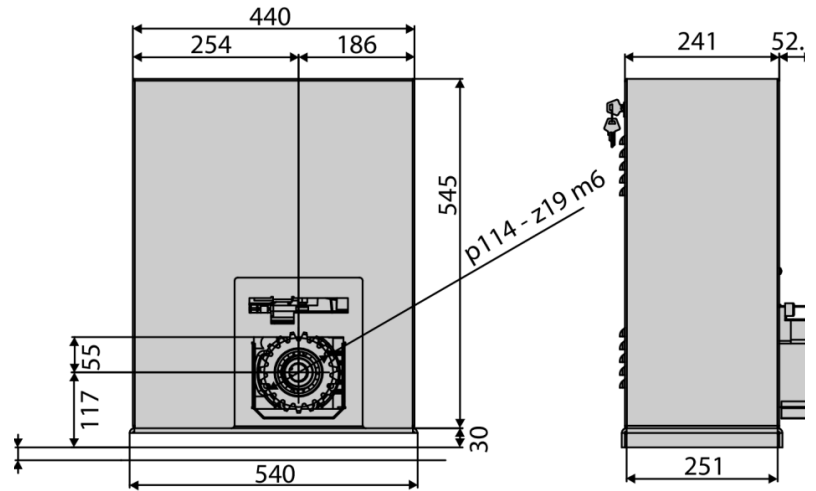


OBERON CE SLIDING GATE MOTOR



FEATURES

- 230v gate operator
- Inverter driven, heavy gear motor
- High speed, yet reliable
- Robust steel casing
- Suitable for heavy industrial use

ACCESSORIES



Mobile Phone Gate Access



Keypad Access



Flashing Lights

SPECIFICATIONS

CONTROL BOARD
MAX LEAF
GATE SPEED
POWER SUPPLY
MOTOR VOLTAGE
POWER INPUT
LIMIT SWITCH
PINION MODULE
SLOWDOWN
LOCKING RELEASE

FREQUENCY OF USE
ENVIRONMENTAL CONDITIONS
PROTECTION RATING
IMPACT REACTION

OBERON CE

SIRIO C BA 230 INV
2000kg
Up to 39m/min (variable)
230v
230v
750w
Electromechanical
4
Yes
Mechanical Knob and personalised key
Very intensive
-10 to +50°C
IP44
Stop and reversing

Gate Opening Systems Pty Ltd

Factory 2 / 11 Leader Street

Campbellfield VIC 3061

Ph: 03 9305 3034

Website: www.gateopeningsystems.com.au

Email: gates@gateopeningsystems.com.au

- > Cantilever
- > Slide
- > Swing
- > Boom