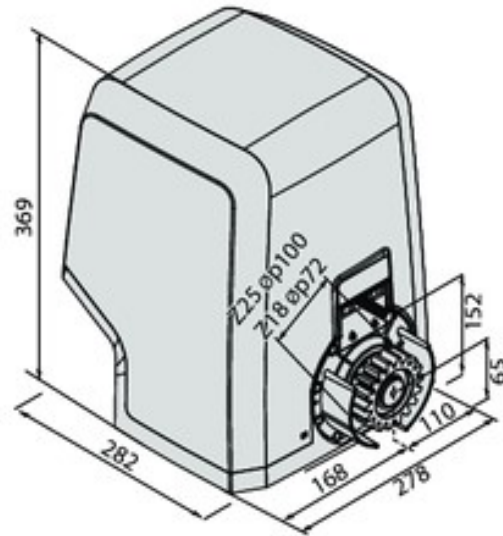


ICARO AC/FAST SLIDING GATE MOTOR



FEATURES

- 230v gate operator
- Magnetic limit switch and control board with U-link protocol embedded
- Sturdy with precision movement
- Suitable for commercial & light industrial use

ACCESSORIES



Mobile
Phone
Gate
Access



Keypad
Access



Flashing
Lights

SPECIFICATIONS

CONTROL BOARD
MAX LEAF
GATE SPEED
POWER SUPPLY
MOTOR VOLTAGE
POWER INPUT
LIMIT SWITCH
PINION MODULE
SLOWDOWN
LOCKING
RELEASE

FREQUENCY OF USE
ENVIRONMENTAL CONDITIONS
PROTECTION RATING
ACTUATOR WEIGHT
IMPACT REACTION

ICARO AC

LEO B CBB L 02
1500kg
10-12m/min
230v
230v
750w
Magnetic
4
Yes
Mechanical
Lever-operated with personal key
Moderate
-15 to +60°C
IP55
25kg
d-track

ICARO FAST

LEO B CBB L 02
750kg
25m/min
230v
230v
750w
Mechanical
4
Yes
Mechanical
Lever-operated with personal key
Moderate
-15 to +60°C
IP55
25kg
d-track

Gate Opening Systems Pty Ltd

Factory 2 / 11 Leader Street

Campbellfield VIC 3061

Ph: 03 9305 3034

Website: www.gateopeningsystems.com.au

Email: gates@gateopeningsystems.com.au

- > Cantilever
- > Slide
- > Swing
- > Boom