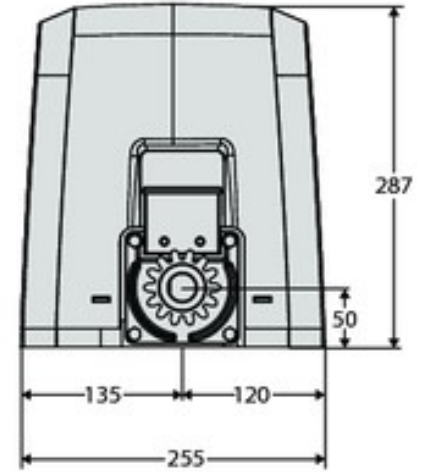
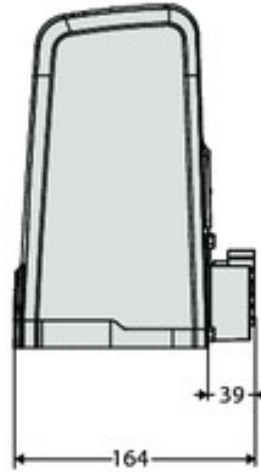


DEIMOS BT SLIDING GATE MOTOR



FEATURES

- 24v gate operator
- Magnetic limit switch and control board with U-link protocol embedded
- Suitable for domestic & light commercial use
- Fast and easy to install

ACCESSORIES



Mobile
Phone
Gate
Access



Keypad
Access



Battery
Back-up
Kit

SPECIFICATIONS

CONTROL BOARD
MAX LEAF
GATE SPEED
POWER SUPPLY
MOTOR VOLTAGE
POWER INPUT
LIMIT SWITCH
PINION MODULE
SLOWDOWN
LOCKING
RELEASE

FREQUENCY OF USE
ENVIRONMENTAL CONDITIONS
PROTECTION RATING
IMPACT REACTION

DEIMOS BT

MERAK SL2
600kg
12m/min
230v
24v
70w
Magnetic
4
Yes
Mechanical
Lever-operated with personal key
Medium
-20 to +55°C
IP44
d-track

DEIMOS BT FAST

MERAK SL2
360kg
16m/min
230v
24v
70w
Magnetic
4
Yes
Mechanical
Lever-operated with personal key
Medium
-20 to +55°C
IP44
d-track

Gate Opening Systems Pty Ltd

Factory 2 / 11 Leader Street

Campbellfield VIC 3061

Ph: 03 9305 3034

Website: www.gateopeningsystems.com.au

Email: gates@gateopeningsystems.com.au

- > Cantilever
- > Slide
- > Swing
- > Boom