

Key T250 Sliding Gate Manual Override Instructions

Thank you for buying this product, our company is sure that you will be more than satisfied with the product's performance. The product is supplied with a "**Instruction booklet**". This should be read carefully as it provides important information about safety, installation, operation and maintenance. This product complies with the recognised technical standards and safety regulations.

SAFETY

If correctly installed and used, this automation device satisfies the required safety level standards. However, it is advisable to observe some practical rules in order to avoid accidental problems. Before using the automation device, carefully read the operation instructions and keep them for future reference.

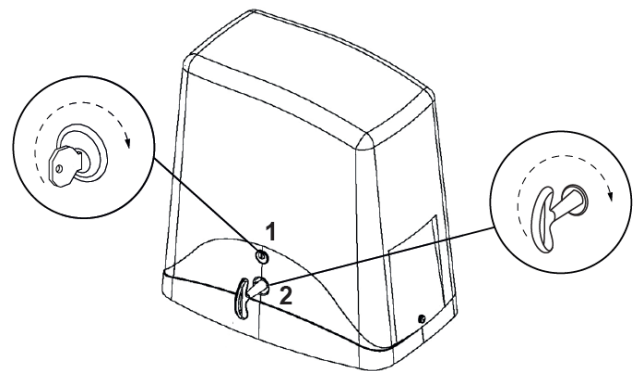
- Keep children, persons and things outside the automation working area, particularly during operation.
- Children must be supervised to ensure they do not play with the application.
- This application is not meant for use by people (including children) with impaired mental, physical or sensory capacities, or people who do not have suitable knowledge, unless they are supervised or have been instructed by people who are responsible for their safety.
- Keep radio control or other control devices out of children's reach, in order to avoid any unintentional automation activation.
- Check the system frequently, especially cables, springs or supports, to detect any loss of balance and signs of wear or damage.
- Do not intentionally oppose the leaf movement.
- Do not attempt to open the gate by hand, if the actuator has not been released by means of the appropriate release knob.
- When cleaning the outside or performing other maintenance work, always cut off mains power.
- Do not modify the automation components.
- Do not use the automated system if it is in need of repair. In the event of a malfunction, cut off the power, activate the emergency release to allow access and call Gate Opening Systems.
- Keep the photocells' optics and illuminating indicator devices clean. Check that no branches or shrubs interfere with the safety devices (photocells).
- For any direct assistance to the automation system, request the assistance of a qualified technician (Gate Opening Systems).
- Have qualified personnel check the automation system once a year.

MANUAL RELEASE

The manual or emergency release is to be activated when a gate must be opened by hand, and in all cases where the automation system fails to operate or operates incorrectly.

To carry out the emergency maneuver, proceed as follows:

- Turn power off to the control box and isolate
- Insert normal key into position 1 lock bolt in operator and turn 90 degrees anti-clockwise.
- Insert special key into position 2 lock bolt in operator and turn clockwise until complete unlock of the pinion.
- Slide gate to manually open.
- To restore motor-driven operation, rotate both keys back to original position and remove key.



MAINTENANCE

The maintenance of the system should only be carried out by qualified personnel regularly. Inspect the installation frequently to check that there are no signs of wear or damage to the track, bolts/nuts are tight, there are no oil leaks and ensure inside operator and control box are clean. Baygon surface around operator and control box(not on electronics).

If any maintenance work is deemed necessary, do not use the operator.