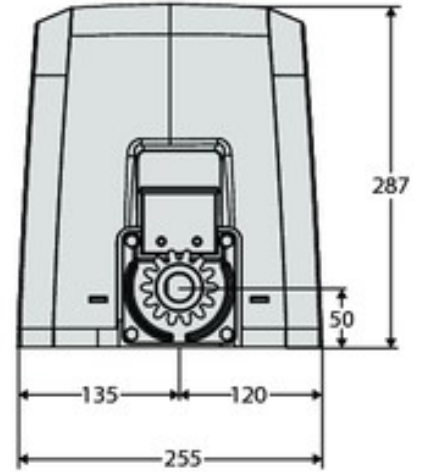
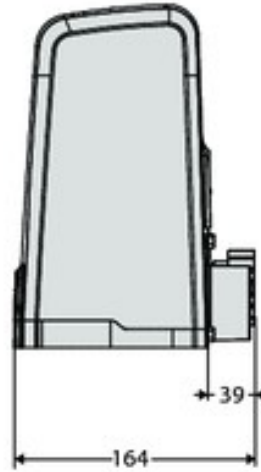


## DEIMOS BT SLIDING GATE MOTOR



### FEATURES

- 24v gate operator
- Magnetic limit switch and control board with U-link protocol embedded
- Suitable for domestic & light commercial use
- Fast and easy to install

### ACCESSORIES



Mobile  
Phone  
Gate  
Access



Keypad  
Access



Battery  
Back-up  
Kit

### SPECIFICATIONS

**CONTROL BOARD**  
**MAX LEAF**  
**GATE SPEED**  
**POWER SUPPLY**  
**MOTOR VOLTAGE**  
**POWER INPUT**  
**LIMIT SWITCH**  
**PINION MODULE**  
**SLOWDOWN**  
**LOCKING**  
**RELEASE**

**FREQUENCY OF USE**  
**ENVIRONMENTAL CONDITIONS**  
**PROTECTION RATING**  
**IMPACT REACTION**

### DEIMOS BT

**MERAK SL2**  
**600kg**  
**12m/min**  
**230v**  
**24v**  
**70w**  
**Magnetic**  
**4**  
**Yes**  
**Mechanical**  
**Lever-operated with personal key**  
**Medium**  
**-20 to +55°C**  
**IP44**  
**d-track**

### DEIMOS BT FAST

**MERAK SL2**  
**360kg**  
**16m/min**  
**230v**  
**24v**  
**70w**  
**Magnetic**  
**4**  
**Yes**  
**Mechanical**  
**Lever-operated with personal key**  
**Medium**  
**-20 to +55°C**  
**IP44**  
**d-track**

## Gate Opening Systems Pty Ltd

Factory 2 / 11 Leader Street

Campbellfield VIC 3061

Ph: 03 9305 3034

Website: [www.gateopeningsystems.com.au](http://www.gateopeningsystems.com.au)

Email: [gates@gateopeningsystems.com.au](mailto:gates@gateopeningsystems.com.au)

- > Cantilever
- > Slide
- > Swing
- > Boom